



23200 Navigator Dilution Control System 4 Button Model (NAV 4)



Overview

The NAV 4 Chemical Dilution Control System accurately dilutes cleaning chemicals from cleaning concentrate product. It is a closed loop dispensing system that eliminates exposure to chemicals when connecting and changing chemical refills. The system holds up to four products and products can be interchanged with other Navigator cleaning concentrates. Fill spray bottles, mop buckets and automatic scrubbers with proven dispensing technology.

Warnings



All installations must conform to local plumbing codes and use approved backflow prevention devices. A pressure indicating tee is to be installed with existing faucets according to local plumbing codes in the state of Wisconsin and any other state that requires the use of a pressure indicating tee.



ALWAYS WEAR PROTECTIVE CLOTHING AND EYEWEAR WHEN WORKING WITH CHEMICAL PRODUCTS.

Package Contents

1 - 98.40.4 Screw & Anchor Kit	1 - Instruction Sheet for SSS #23200
2 - 66.21K Key Set	1 - #23200 Navigator 4 Button Dispenser

Set-Up and Installation

The NAV 4 Chemical Dilution Control System is configured for use with SSS Navigator chemical concentrate refills. No dilution adjustment to the dispenser is required. The metering tip is engineered to properly dispense SSS Navigator chemicals. Do not use other chemical products with this dispenser or other inserts as the unit will not perform as intended. Follow these instructions to better understand the system and ensure proper use.

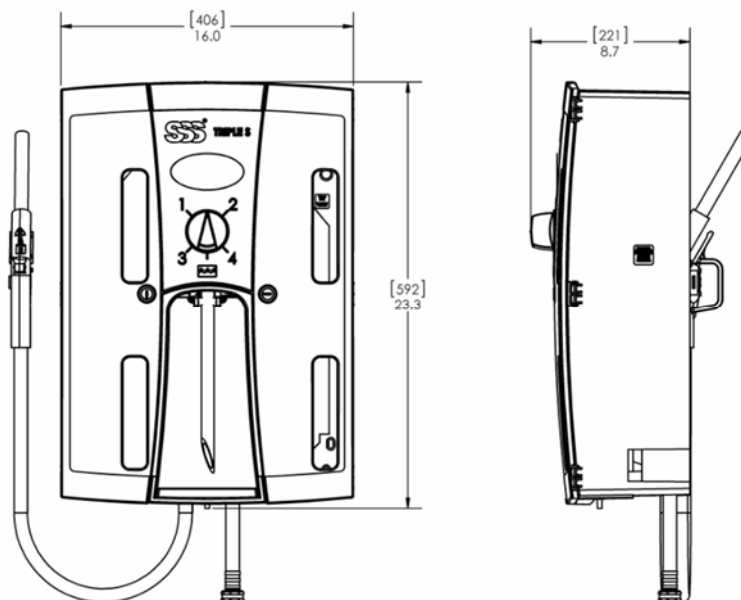
Operational Requirements

Water Supply Requirements

	Minimum	Maximum
Water Pressure	20 psi (1.38 bar)	125 psi (8.62 bar)**
Water Temperature	-	150°F (65.5°C)

** Recommended water pressure is between 20 psi (1.38 bar) and 70 psi. (5.52 bar). If pressure exceeds 70 psi, it is recommended that a SSS #23210 water pressure regulator is used.

Overall Dimensions



Installation

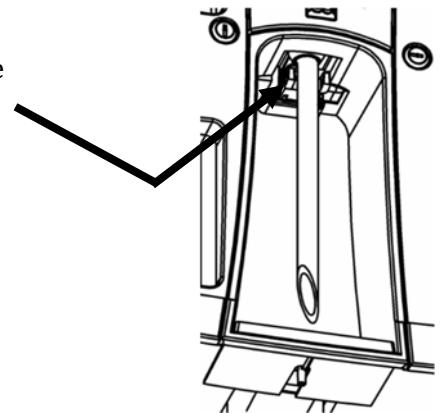
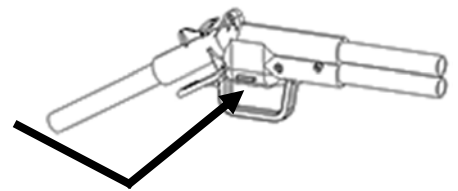
1. Unlock and open the doors to the dispenser.
2. Lift unit to wall and mark out the hole pattern on the wall based on the hanger holes on the backside of the unit.
3. Install supplied anchors to the wall.
4. Mount the dispenser to the wall with supplied screws.
5. Insert chemical containers in their respective locations. Attach the Safelink caps to the chemical containers.

Installation Cont'd

6. Close and lock the doors.
7. Connect the attached water hose to your water source.
8. The drip tray has a barb on it that you can attach a ¼" I.D. hose (not supplied) for draining. Drill a 3/16" hole through the barb at the bottom of the drip tray if the drain tube is to be used. Attach drain tube to barb.

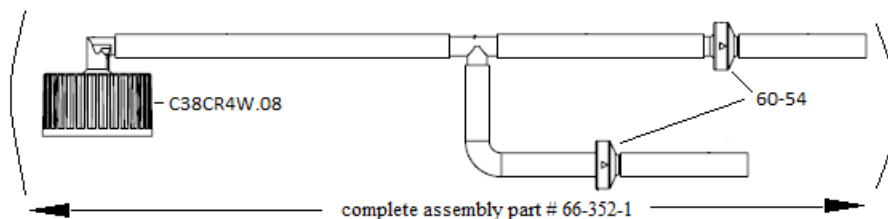
Operation

- Chemical Selector Dial – Turn the dial to the desired chemical position, 1, 2, 3 or 4. When the dial points to the desired chemical position you may dispense chemical with the remote hose or by the bottle fill activator. Do not turn dial when in use. For rinse water, point the dial straight down at the water symbol. **This is not potable water. Do Not Drink.**
- Remote Fill Activation -- Depress the trigger on the handle of the remote gun. The remote gun can be locked "On" by sliding the red lever to one side while the trigger has been depressed. Note: To disengage the locked "On" feature, simply squeeze the trigger and the slide will disengage. Moving the slide manually to disengage the locked "On" feature can cause premature wear and failure.
- Bottle Fill Activation – Slide the bottle fill tube inside the bottle and raise the bottle to engage the lever of the Bottle fill lever assembly. To stop the fill, lower the bottle and the lever will disengage.



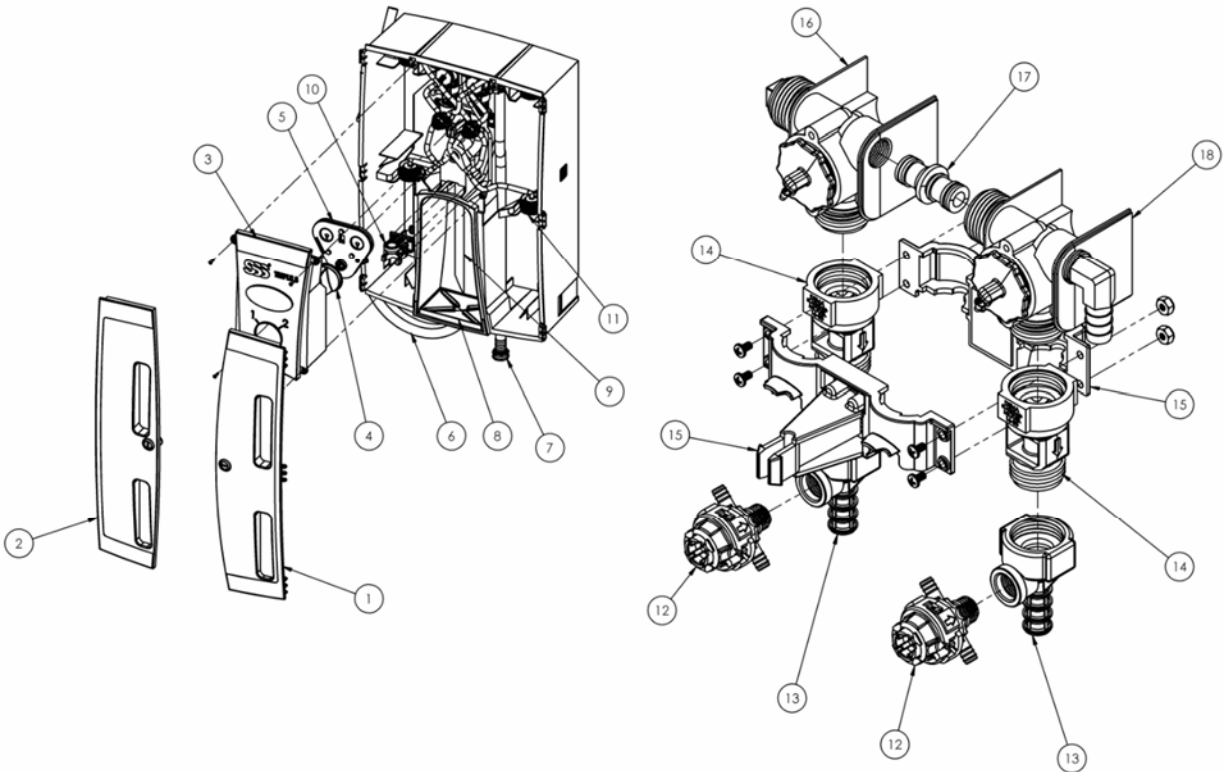
Troubleshooting

Symptom	Probable Cause	Remedy
Proportioner fails to draw chemical properly.	<ol style="list-style-type: none"> 1. Insufficient water supply pressure. 2. SafeLink cap and or Chemical check valves have chemical deposits in them. (See below) 3. Chemical metering tip clogged with dried chemical. 4. The outlet tubing might be pinched closed. 5. Mineral deposits are built up in the in the proportioner. 	<ol style="list-style-type: none"> 1. 20 PSI is the minimum allowable pressure. 2. Soak in hot water to clean. Or run warm water through the cap tubing assembly. This may release the chemical deposits. Replace the check valves and or cap. 3. Install new Chemical Bottle 4. Straighten out the tubing to remove the restriction. Dip in very hot water till tubing is soft then straighten and let it cool 5. Soak proportioner in Delimer or off the shelf product such as CLR to clean mineral deposits.
"Air Gap" Proportioner is leaking	<ol style="list-style-type: none"> 1. Mineral deposits are located on Air Gap nozzle. 	<ol style="list-style-type: none"> 1. Remove Air Gap Proportioner and Soak in Delimer or off the shelf product such as CLR to clean and remove mineral deposits.
Water valve is not shutting off completely.	<ol style="list-style-type: none"> 2. There could be debris in the water valve 3. "Bottle fill lever" is not returning all the way up due to interference with outlet tubing. 4. Remote gun lock is on 	<ol style="list-style-type: none"> 2. Make sure screen washer in on the water inlet hose. Activate the valve several times to try to work out whatever is causing it to stick. Remove valve cover and clean out. 3. Make sure bottle fill tube is not touching the lever 4. Disengage lock
Water valve is leaking.	<ol style="list-style-type: none"> 1. Barbed nut is too loose. 	<ol style="list-style-type: none"> 1. Shut water supply off first. Hand-tighten the barbed nut. Do not over tighten w/tool.
Threaded connections are leaking water.	<ol style="list-style-type: none"> 1. The connection between the blend center and water supply line is too loose or rubber washer is missing. 2. Backflow prevention devices and/or proportioners are too loose. 	<ol style="list-style-type: none"> 1. Shut water supply off first. Carefully tighten the female hose coupling on the blend center to the inlet water supply line. Do not over tighten. 2. Tighten loose connection(s) with tools if necessary. Do not over tighten if using tools.
Selector valve is not selecting the correct chemical	<ol style="list-style-type: none"> 1. The transmission assembly is not connecting to the selector valve. 	<ol style="list-style-type: none"> 1. Make sure the selector valve indicating slot is engaging with the transmission. If not replace the selector valve.



Chemical check valves may have chemical deposits in them causing them not to seat.
 If the chemical check valve for the Bottle fill is not seating the Bucket side will not draw.
 If the chemical check valve for the Bucket fill is not seating then the Bottle fill will not draw.
 Suggest replacing both check valves in the chemical pickup lines. Part # is 60.54
 You can also try to run warm water though the Cap to rinse the deposits out of the check Valve.

Parts list



No.	Part No.	Description
1	66-252-1	Right Door Assy.
2	66-252-2	Left Door Assy.
3	66-253-1	Center Panel w/ Label
4	66-339-1	Selector Knob
5	66-53-15	Transmission Assy.
6	66-255-1	Remote Gun Assy.
7	44-3-8FCO	8 ft. Water Inlet Black Hose
8	66-334	Drip Tray
9	85-17-29-7	Bottle Fill Tube, Action Gap Style
	85-17-29-8	Bottle Fill Tube, Air Gap Style
10	66-254-1	Lever Assy.
11	C38CR4W-08	Safelink Cap
12	66-53-1	Selector Valve
13	163CHA-NB	2.5 GPM Proportioner
	61-45-AG	2.5 GPM Proportioner, Air Gap
14	16-30	Action Gap
15	66-256-1	Bracket Assy.
16	66-257-1	Valve Assy., w/ Pipe Plug Left
17	66-258-1	Valve Body Spool
18	66-257-2	Valve Assy., w/ Inlet Barb Right
19	100-12	8ft PVC Chemical Pick Up Tubing

Warranty

Merchandise Returns

*No merchandise will be returned for credit without manufacturer's written permission.
Please contact your dealer for warranty issues.*

Product Warranty

Manufacturer's products are warranted against defective material and workmanship under normal use and service for one year from the date of manufacture. This limited warranty does not apply to any products that have a normal life shorter than one year or failure and damage caused by chemicals, corrosion, physical abuse, or misapplication. Rubber and synthetic rubber parts such as "O"-rings, diaphragms, PVC tubing, and gaskets are considered expendable and are not covered under warranty. This warranty is extended only to the original buyer. If products are altered or repaired without prior approval of manufacturer, this warranty is void.

Defective units or parts should be returned to the factory with transportation prepaid. If inspection shows them to be defective, they will be repaired or replaced without charge, F.O.B. factory. Manufacturer assumes no liability for damages. Return merchandise authorization number must be granted in advance of returned units for repair or replacement (See "Merchandise Returns" above).

Please contact your Triple S Dealer for warranty support.

Manufactured for:



BILLERICA, MA 01862

800-323-2251 www.triple-s.com